

Smart Battery System Specifications

Smart Battery Charger Specification

**Revision 1.0
June 27, 1996**

**Copyright© 1996, Benchmarq Microelectronics Inc., Duracell Inc.,
Energizer Power Systems, Intel Corporation, Linear Technology Corporation,
Maxim Integrated Products, Mitsubishi Electric Corporation,
National Semiconductor Corporation, Toshiba Battery Co.,
Varta Batterie AG, All rights reserved.**

Questions and comments regarding this specification may be forwarded to:

Intel Corporation

PHONE: (8am-5pm PST) (800) 628-8686

FAX: (916) 356-6100

INTERNATIONAL (916) 356-3551

Email: IAL_Support@ccm.hf.intel.com

THIS SPECIFICATION IS PROVIDED "AS IS", WITH NO WARRANTIES WHATSOEVER, WHETHER EXPRESS, IMPLIED OR STATUTORY, INCLUDING, BUT NOT LIMITED TO ANY WARRANTY OF MERCHANTABILITY, NONINFRINGEMENT, FITNESS FOR ANY PARTICULAR PURPOSE, OR ANY WARRANTY OTHERWISE ARISING OUT OF ANY PROPOSAL, SPECIFICATION, OR SAMPLE.

IN NO EVENT WILL ANY SPECIFICATION CO-OWNER BE LIABLE TO ANY OTHER PARTY FOR ANY LOSS OF PROFITS, LOSS OF USE, INCIDENTAL, CONSEQUENTIAL, INDIRECT OR SPECIAL DAMAGES ARISING OUT OF THIS AGREEMENT, WHETHER OR NOT SUCH PARTY HAD ADVANCE NOTICE OF THE POSSIBILITY OF SUCH DAMAGES. FURTHER, NO WARRANTY OR REPRESENTATION IS MADE OR IMPLIED RELATIVE TO FREEDOM FROM INFRINGEMENT OF ANY THIRD PARTY PATENTS WHEN PRACTICING THE SPECIFICATION.

Table of Contents

REVISION HISTORY	III
1. INTRODUCTION	1
1.1. Scope	1
1.2. Audience	1
2. REFERENCES	2
3. DEFINITIONS	2
4. SMART BATTERY CHARGING SYSTEM	3
4.1. Smart Battery System Block Diagrams	3
4.2. Smart Battery Charger Types	5
4.2.1. Smart Battery Controlled (Level 2) Smart Battery Charger	5
4.2.2. Host Controlled (Level 3) Smart Battery Charger	5
4.3. Interface Definition	6
4.3.1. Typical Communications Between a Smart Battery-and-Smart Battery Charger	6
4.3.2. Critical Communications from a Smart Battery to the Smart Battery Charger	6
4.4. Error Detection and Signaling	8
4.4.1. Error Detection	8
4.4.2. Error Signaling	8
5. SMART BATTERY CHARGER COMMANDS	9
5.1. Smart Battery Charger Slave Functions (battery or host-to-charger)	11
5.1.1. ChargingCurrent() (0x14)	11
5.1.2. ChargingVoltage() (0x15)	12
5.1.3. AlarmWarning() (0x16)	13
5.1.4. ChargerMode() (0x12)	14
5.1.5. ChargerStatus() (0x13)	15
5.1.6. ChargerSpecInfo() (0x11)	17
5.2. Smart Battery Charger Master Functions (charger-to-battery)	18
5.2.1. ChargingCurrent() (0x14)	18
5.2.2. ChargingVoltage() (0x15)	20

6. SMART BATTERY CHARGER CHARACTERISTICS	21
6.1. Common Smart Battery Charger Characteristics	21
6.1.1. Thermistor Ranges	21
6.1.2. Smart Battery Charger Time-out Period	21
6.1.3. Smart Battery Charger Wakeup Charge Current	22
6.1.4. Charger Brown-Out Conditions	22
6.1.5. Smart Battery Charger Leakage Current	22
6.1.6. “Float” Voltage	22
6.1.7. Smart Battery Charger Start-Up	22
6.1.8. Charger Operational Modes Clarifications	23
6.1.9. Optional Smart Battery Charger Registers for Selector Support	25
6.1.10. Optional Charger Interrupt Mechanism	25
6.1.11. Battery Internal Charge Control	25
6.2. Smart Battery Controlled Smart Battery Charger Characteristics	26
6.2.1. Required Commands	26
6.2.2. Charge Initiation	26
6.2.3. Charge Termination	26
6.2.4. Charge Current and Voltage	26
6.3. Host controlled Smart Battery Charger Characteristics	27
6.3.1. Required Commands	27
6.3.2. Charge Initiation	27
6.3.3. Charge Termination	27
6.3.4. Charge Current and Voltage	27
APPENDIX A THE SMART BATTERY CHARGER COMMAND	28
APPENDIX B SMART BATTERY SYSTEM SAFETY FEATURES	29
“Wake-up” Charging	29
“Controlled” Charging	29
Discharging	30
APPENDIX C SMART BATTERY ALARM BITS	31
APPENDIX D IMPLEMENTATION EXAMPLES	32
Emulating a Smart Battery Charger with the Host	32
The keyboard controller as Host	32
No-host charging	33
Master-only Host	34
APPENDIX E ACCURACY REQUIREMENTS	35
APPENDIX F THERMISTOR CHARACTERIZATION	36

Revision History

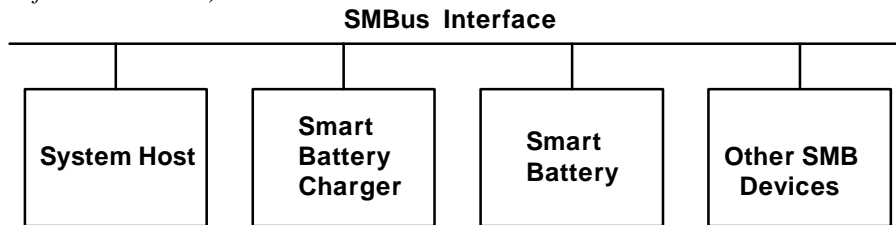
Revision Number	Date	Author	Notes
0.95	9/28/94	R Dunstan	Initial Public release
0.95a	2/15/95	R Dunstan	Added optional manufacturer command codes
1.0	6/27/96	R Dunstan	Version 1.0 Release

Smart Battery Charger Specification

1. Introduction

The Smart Battery Charger Specification presents one element of an ideal solution for batteries used in portable electronic equipment such as laptop computer systems, cellular telephones and video cameras. Designed for use with batteries compliant with the Smart Battery Data Specification (refer to the *References* section), the electrical characteristics of the Smart Battery Charger feature charging characteristics that are controlled by the battery itself, in contrast to a charger with fixed charging characteristics that will work with only one cell type. The Smart Battery/Smart Battery Charger combination provide two distinct advantages in system performance and cost. First, charging characteristics are integral to the battery itself, allowing for chemistry independence and ideal charging algorithms that match the specific cell types. Each Smart Battery defines the charging scheme that is best suited to its chemistry and capacity, maximizing the usable energy at each charge, reducing the charge time and maximizing the number of charge cycles. Second, the cost and complexity of the system is reduced as the charger need only provide the charging voltage and current specified by the Smart Battery, without duplicating the measurement and control electronics already present in the Smart Battery.

This specification, as depicted below, defines the data that flows across the SMBus between the Smart Battery and Smart Battery Charger. A more detailed description of the electrical interface, data protocols and other devices can be found in the supplementary documentation (refer to the *References* section).



The Major Components of the SMBus Interface :

Electrical: Refer to the System Management Bus Specification for more information

Protocol: Refer to the System Management Bus Specification for more information

Data: Described in this specification and the Smart Battery Data Specification.

This specification defines the data-set that is used to communicate with the Smart Battery Charger. It is not designed to limit innovation amongst battery or charger manufacturers, but rather provide a consistent set of information to communicate with any particular Smart Battery Charger.

1.1. Scope

This document specifies the data set that is communicated to or from a Smart Battery Charger. The electrical specifications are covered by other specifications (refer to the *References* section). This specification is generic with regard to the type of battery chemistry, the battery pack voltage, the battery pack capacity and the battery pack's physical packaging.

1.2. Audience

The audience for this document includes:

- Smart Battery Charger manufacturers
- Smart Battery manufacturers
- Readers of the System Management Bus Specification
- Designers of device drivers for Smart Batteries
- Designers of power management systems for portable electronic equipment powered by Smart Batteries

Smart Battery Charger Specification

2. References

- *System Management Bus Specification Revision 1.0*, Intel Inc., February, 1995
- *Smart Battery Data Specification Revision 1.0* Duracell/Intel Inc., February, 1995
- *Smart Battery Selector Specification Revision 1.0*, Duracell/Intel Inc., July, 1996

3. Definitions

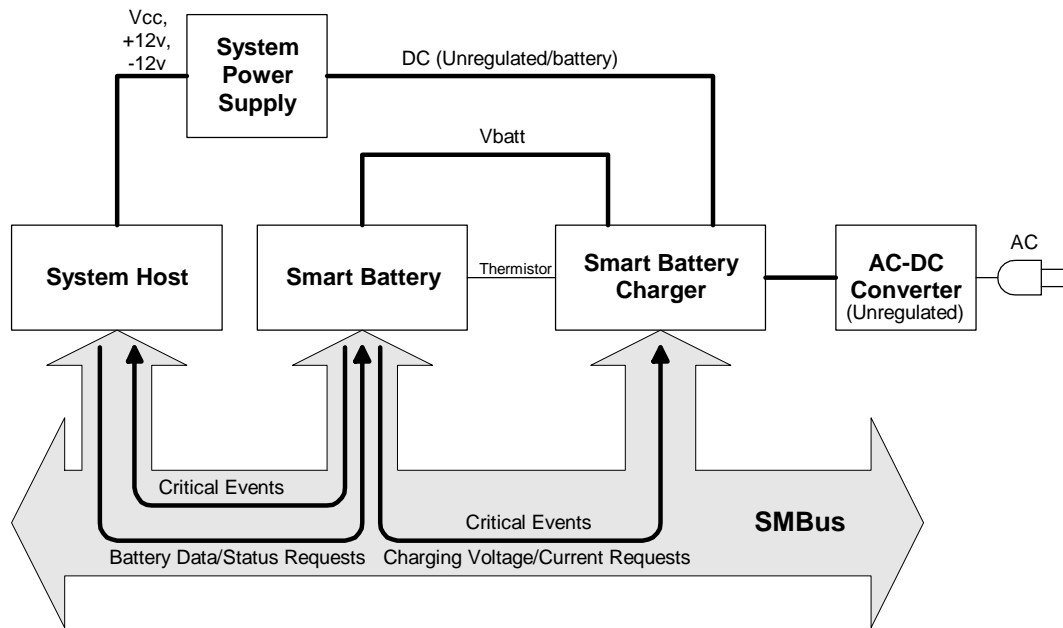
- **Battery:** One or more cells that are designed to provide electrical power.
- **Cell:** The cell is the smallest unit in a battery. Most batteries consist of several cells connected in series, parallel, or a series-parallel combination.
- **Host Controller:** An intelligent entity that communicates with a Smart Battery and a Smart Battery Charger, reading the battery's charge requirements and controlling the battery charger. It can reside in many places such as: an integrated part of the charger, a stand alone component or part the SMBus host controller.
- **Smart Battery:** A battery equipped with specialized hardware that provides present state, calculated and predicted information to its System Host under software control.
- **Smart Battery Charger:** A battery charger that periodically communicates over the SMBus with a Smart Battery and can alter its charging characteristics in response to information provided by the Smart Battery. There are two types of Smart Battery Chargers described in this specification: Smart Battery Controlled (Level 2) and Host Controlled (Level 3).
- **Smart Battery Selector:** A Smart Device that controls multiple Smart Batteries in a system. It establishes, arbitrates and maintains the power, communication and thermistor paths between the Smart Battery, Smart Battery Charger and the System Host's power supply.
- **Smart Device:** An electronic device or module that communicates over the SMBus with the System Host and/or other Smart Devices. For example the back-light controller in a Notebook computer can be implemented as a Smart Device.
- **SMBus:** The System Management Bus is a specific implementation of an I²C-bus that provides data protocols, device addresses and additional electrical requirements that are designed to physically transport commands and information between the Smart Battery, System Host, Smart Battery Charger and other Smart Devices.
- **System Host:** A piece of portable electronic equipment powered by a Smart Battery. It is able to communicate with the Smart Battery and use information provided by the battery.

4. Smart Battery Charging System

A Smart Battery Charging System at a minimum consists of a Smart Battery and Smart Battery Charger compatible with this specification and those described in the references section.

4.1. Smart Battery System Block Diagrams

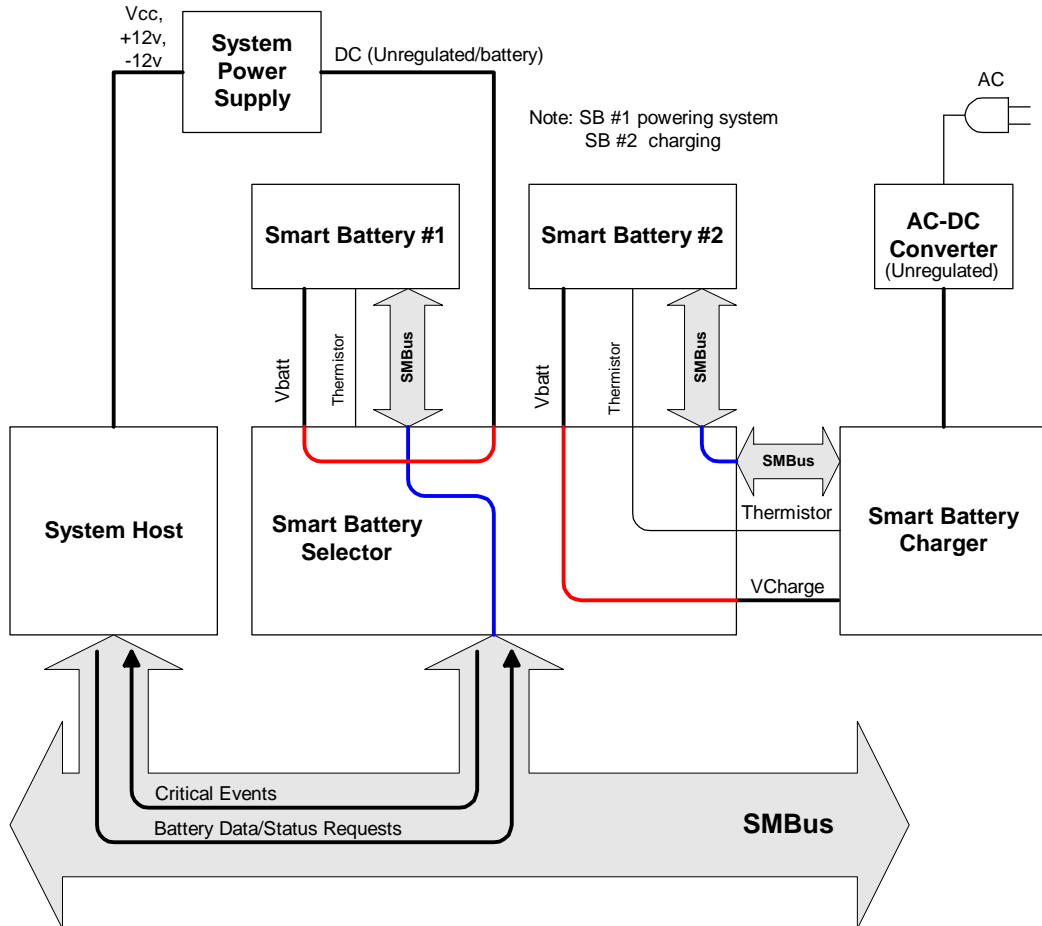
A system may use one or more Smart Batteries. The block diagram of a Smart Battery Charging System shown below (notebook computer, video camera, cellular phone, or other portable electronic equipment) depicts a single battery system. For more details about the system components and interactions, see the Smart Battery Data Specification (refer to the *References* section).



Typical Single Smart Battery System

Smart Battery Charger Specification

Another possibility is a system that uses two or more Smart Batteries. One possible block diagram of such a system featuring multiple batteries is shown below. The Smart Battery Selector is used to connect batteries to either the Smart Battery Charger, the system or disconnect them, as appropriate. For each battery, three connections must be made, power (the battery's positive and negative terminals), the SMBus (Clock and Data) and the thermistor. Additionally, the system host must be able to query any battery in the system so it can display the state of all batteries present in the system. For more details about the system components and interactions, see the Smart Battery Data Specification and/or the Smart Battery Selector Specification (refer to the *References* section).



Typical Multiple Smart Battery System

The block diagram above shows a two battery system where Battery 2 is being charged while Battery 1 is powering the system. This configuration may be used to “condition” Battery 1; allowing it to be fully discharged prior to recharge.

4.2. Smart Battery Charger Types

Two types of Smart Battery Chargers are defined: Smart Battery Controlled (Level 2) and Host Controlled (Level 3). Each has a particular set of characteristics and minimum command set which this document defines. All Smart Battery Chargers communicate with the Smart Battery using the SMBus. They differ in their ability to provide charging services to the Smart Battery. Host controlled chargers are supersets of Smart Battery Controlled chargers and as such support all Smart Battery controlled charger commands. See Section 6 for more detailed characteristics the charger types.

Note: Level 1 Smart Battery Chargers were defined in the version 0.95a specification. While they can correctly interpret Smart Battery end-of-charge messages minimizing over-charge, they do not provide truly chemistry independent charging. They are no longer defined by the Smart Battery Charger specification and are explicitly not compliant with this and subsequent Smart Battery Charger specifications.

4.2.1. Smart Battery Controlled (Level 2) Smart Battery Charger

The Smart Battery controlled or Level 2 Smart Battery Charger interprets the Smart Battery's critical warning messages, and operates as an SMBus slave device that responds to ChargingVoltage() and ChargingCurrent() messages sent to it by a Smart Battery. The charger dynamically adjusts its output characteristics in response to the ChargingVoltage() and ChargingCurrent() messages it receives from the battery. The Smart Battery is in the best position to tell the Smart Battery Charger how it needs to be charged. The charging algorithm in the battery may simply request a static charge condition or may choose to periodically adjust the Smart Battery Charger's output to meet its present needs. The Smart Battery controlled Smart Battery Charger is truly chemistry independent. As a SMBus slave device only, the Smart Battery Charger is a relatively inexpensive and easy to implement device.

4.2.2. Host Controlled (Level 3) Smart Battery Charger

The Host Controlled or Level 3 Smart Battery Charger not only interprets the Smart Battery's critical warning messages, but is able to act as an SMBus master device. It polls the Smart Battery to determine the charging voltage and current the battery desires. The Host controlled charger then dynamically adjusts its output to meet the battery's charging requirements. The Smart Battery is in the best position to tell the Smart Battery Charger how it wants to be charged. Using the charging algorithm in the battery, the Host controlled charger may simply set a charge condition once or may choose to periodically adjust the Smart Battery Charger's output to meet the changing needs of the Smart Battery.

A Host controlled Smart Battery Charger is free to implement an alternative specialized charging algorithm. A Host controlled Smart Battery Charger may also interrogate the Smart Battery for any other relevant data, such as time remaining to full charge, battery temperature or other data used to control proper charging or discharge conditioning. For example, a medical device with stricter temperature limits than the Smart Battery's self-contained charging algorithm, may use a Host controlled charger that factors in the battery's reported temperature into its charging algorithm.

Like the Smart Battery controlled charger, the Host controlled Smart Battery Charger is also chemistry independent. Because it supports SMBus Master Mode, the Host controlled Smart Battery Charger is more complex, thus more expensive than a Smart Battery controlled charger. In some cases, a system designer may choose to use the system host to communicate with both the Smart Battery and a Smart Battery controlled Smart Battery Charger to provide a hybrid Host controlled functionality.

4.3. Interface Definition

The interface is separated into two types: normal communications that are either Smart Battery-to-Smart Battery Charger or Smart Battery Charger-to-Smart Battery, and critical communications that are exclusively Smart Battery-to-Smart Battery Charger. None of the communications require the system's Host take any action to control charging.

An internal or external battery charger must understand the characteristics of the battery it is charging. Today's laptops, using NiMH and NiCad batteries, apply a constant current to the battery. End-of-charge is generally determined by monitoring the battery's voltage and/or internal temperature. There can be problems with this scheme; when a battery with a different chemistry is placed in the same package, even though the voltage is the same, the charging characteristics may be quite different.

A better method is to have the battery control charging: terminating charging when charging is complete and adjusting the charging voltage and current so they best match the battery's present needs. Chargers that cooperate with the battery have distinct advantages over the simple model: they provide the battery with all the power it can handle (that is, maximum safe charge) without overcharging, they will recognize and correctly charge batteries with different chemistries and voltages, and they use actual measurements of battery terminal voltage and temperature, made within the battery case itself.

4.3.1. Typical Communications Between a Smart Battery-and-Smart Battery Charger

Communication between the Smart Battery and the Smart Battery Charger may be initiated by either the battery or the charger depending upon the specific implementation, but the same information is exchanged between the battery and the charger, regardless of which device initiated the transaction. For example, a Host Controlled charger may poll the battery periodically to determine the appropriate charge voltage and current, while a Smart Battery controlled charger must wait for the battery to initiate the data transmission. In both cases, data (charging voltage and current) is supplied by the battery to the charger.

Smart Battery to Smart Battery Charger communications are performed:

- To allow the Smart Battery to instruct the Smart Battery Charger to set the appropriate charge current and charge voltage.
- To allow access to the "correct" charge algorithm for the battery.
- To allow Smart Batteries to be charged as rapidly and as safely as possible.
- To allow new and different battery technologies to be used in existing equipment.

4.3.2. Critical Communications from a Smart Battery to the Smart Battery Charger

A Smart Battery must have the ability to inform the Smart Battery Charger of potentially dangerous conditions. These notifications represent a final effort on the part of the battery to inform the Smart Battery Charger and System Host that the battery is being overcharged. The Smart Battery expects the Smart Battery Charger and/or the System Host to take the appropriate corrective action.

Smart Battery-to-Smart Battery Charger or System Host communications are performed:

- To allow the Smart Battery to instruct the Smart Battery Charger to discontinue charging due to:
 - ◆ over charge
 - ◆ end of normal charge
 - ◆ over temperature.
- To allow the Smart Battery to instruct the Smart Battery Charger to restart charging when to:

Smart Battery Charger Specification

- ◆ the battery alarm conditions have returned to normal
- ◆ an end of discharge cycle has occurred during battery conditioning.

4.4. Error Detection and Signaling

The Smart Battery Charger supports the SMBus method for error signaling. This error system is designed to minimize the amount of traffic on the SMBus and the amount of code required to communicate with the charger.

4.4.1. Error Detection

When a Smart Battery Charger detects an error condition (such as an unsupported command, data unavailable, busy or bad data) it signals the master (Smart Battery or System Host) that an error has been detected. All functions processed by the Smart Battery Charger are assumed to be error-free unless the Smart Battery signals the master device that an error has occurred.

4.4.2. Error Signaling

A Smart Battery Charger signals the SMBus master device that it has detected an unrecoverable error by taking advantage of the SMBus requirement that an acknowledge bit must be sent by the slave after every byte is transferred. When the Smart Battery Charger fails to provide the acknowledge bit, the SMBus master device is obliged to generate a STOP condition, thus causing a premature termination of the transfer. This signals the SMBus master device that an error has occurred.

The Smart Battery Charger must ALWAYS acknowledge its own address. Failure to do so may cause the System Host or Smart Battery to incorrectly assume the Smart Battery Charger is NOT present in the system. The Smart Battery Charger may choose not to acknowledge any byte following its address if it is busy or otherwise unable to respond.

Optionally, Smart Battery Chargers may support error registers that can be read by the system host.

5. Smart Battery Charger Commands

Communication between the Smart Battery and Smart Battery Charger may be initiated by the battery or the charger, depending upon the specific implementation. In either case, the same information is transmitted between the battery and the charger. It is important to note that this communication does not require host intervention and depending upon implementation, allows for successful charging even when the system host is not powered or is absent.

Smart Battery controlled chargers are always slave devices and therefore all communication with these chargers is initiated by the Smart Battery or other master device, typically the System Host. Whenever the Smart Battery's BatteryMode() CHARGER_MODE bit is cleared (default) and the Smart Battery desires to be charged and detects the presence of a Smart Battery Charger (optional), it will send the ChargingCurrent() and ChargingVoltage() values to the Smart Battery Charger. The Smart Battery will continue broadcasting these values at whatever interval it deems appropriate (no less than once per minute) in order to maintain correct charging. For example, the Smart Battery may detect the presence of a Smart Battery Charger by recognizing a charge current or voltage at the battery terminals and begin regular broadcasts to the charger. Even if no Smart Battery Charger is present, the Smart Battery may choose to broadcast to the charger address. See Smart Battery Data Specification for details (refer to the *References* section).

Host controlled chargers may initiate charging by interrogating the Smart Battery for ChargingCurrent() and/or ChargingVoltage(). For example, this may be initiated by the presence of a charge source, such as an A-C wall adapter, or by direct command of the system host. Further, Host controlled chargers may also operate as slave devices in the same manner as Smart Battery controlled chargers.

Whenever the Smart Battery detects a critical condition, it will become a bus master and send an AlarmWarning() message to both the Smart Battery Charger and the System Host, as appropriate, to notify them of the critical condition. The message sent by the AlarmWarning() function is similar to the message returned by the BatteryStatus() function. All Smart Battery Chargers must discontinue charging upon receipt of an AlarmWarning() message if the error indicates that charging should be terminated. See the description of the AlarmWarning() function for a list of the alarms that should terminate charging.

The following functions are used by the Smart Battery Charger system to communicate with a System Host, Smart Battery and other devices connected via the SMBus. All functions include a command and then either read or write a 2 byte word. For more details about the data structure and communication protocol, see the System Management Bus Specification (refer to the *References* section).

The Smart Battery Charger described by this specification does not use the voltage and current scaling information contained in the Smart Battery's SpecificationInfo(). The charger interprets all voltage and current commands using one as the scaling factor.

In some implementations, the Smart Battery Charger may be microcontroller based and may include additional functionality such as those provided by the Smart Battery Selector.

Smart Battery Charger Specification

The functions are described as follows:

FunctionName() **0xnn (command code)**

Description:

A brief description of the function.

Purpose:

The purpose of the function, and an example where appropriate.

Supported by:

This function must be supported by the charger level specified.

SMBus Protocol:

Describes the data protocol used by the function

Input, Output or Input/Output: A description of the data supplied to or returned by the function.

The data is described as follows:

data type:	The type of data the function conveys (See Appendix B)
Units:	The units the data is presented in
Range:	The range of valid data
Granularity:	See next paragraph
Accuracy:	How "good" is the data.

Integral to the Smart Battery/Smart Battery Charger concept is that the “measured” values, that is, those provided by the battery, exceed the accuracy of the “regulated” values provided by the charger. In this way, the cost of the system is kept to a minimum because there is no need to duplicate the costs associated with highly accurate analog components at both the charger and the battery.

A Smart Battery Charger's granularity is generally defined by the resolution of its D-A. For example, a Smart Battery Charger that has a designed maximum regulated charge current of 4 Amps will have a ChargingCurrent() granularity of 0.4% (15.6mA) for an 8-bit D-A, 0.2% (7.8mA) for a 9-bit D-A, 0.1% (3.9mA) for a 10 bit D-A and 0.05% (1.9mA) for an 11 bit D-A.

This specification requires that a monotonic D-A converter with at least 8-bits of resolution be used to meet the minimum granularity requirements for charger “regulated” values. Although the granularity and accuracy values specified represent a minimum standard of performance, better performance is encouraged.

5.1. Smart Battery Charger Slave Functions (battery or host-to-charger)

The following functions are performed by the charger operating as an SMBus slave device. They are required functions for a Smart Battery Charger. Any master device, typically the Smart Battery, or the system host operating as a master, initiates these functions.

5.1.1. ChargingCurrent() (0x14)

Description:

The Battery, System Host or other master device sends the desired charging rate (ma). Note: The battery may decide to *calculate* this based on its desired rate plus the system's measured power requirements. Note: It is incumbent upon the battery to be able to withstand considerable variations in the charging current if the load varies rapidly because of device and bus latencies.

Purpose:

The ChargingCurrent() function sets the maximum current that a Smart Battery Charger may deliver to the Smart Battery. In combination with the ChargingVoltage() function and the battery's internal impedance, this function determines the Smart Battery Charger's desired operating point. Together, these functions permit a Smart Battery Charger to dynamically adjust its charging profile (current/voltage) for optimal charge. The Smart Battery can effectively turn off the Smart Battery Charger by returning 0 for this function. Smart Battery Chargers may be operated as a constant voltage source above their maximum regulated current range by returning a ChargingCurrent() value of 65535.

SMBus Protocol: Write Word

Output: unsigned int -- maximum charger output current in ma
Units: ma
Range: data range is 0 to 65,534 ma
output range is defined by the specific implementation, but not less than 8 bits within the 16 bit field
Granularity: 0.4% (8 bits) or better, monotonic
Accuracy: $\pm 5\%$ of twice the value the most significant bit weight or better. It is strongly recommended that the accuracy be considerably better, particularly in the expected operating range. Note that while the absolute accuracy of the charger is relatively low, the Smart Battery controls the charger and it must have adequate measurement precision for the chemistry it supports. The Smart Battery can adjust its charging current requests based on its measurement its input current. Less stringent requirements on the charger's accuracy avoids duplication of high precision elements lowering the system cost without sacrificing performance. (see Appendix E)
Invalid Data Indication: 65,535 indicates the battery needs constant voltage at the ChargingVoltage() value.

Note1: This is the same value as that listed in 5.2.1. In the case shown here, the value is written by the Smart Battery or other master device, to the Smart Battery Charger.

Note2: The Smart Battery Charger responds to current requests in one of three ways:

- supply the current requested
- supply the programmatic maximum current if the request is greater than its programmatic maximum and less than 65535
- supply its maximum safe current if the request is 65535

Smart Battery Charger Specification

Note3: The battery may return a value based on its desired charge rate plus the system's measured power requirements, if any. In this way, actual charge current into the battery is controlled.

5.1.2. ChargingVoltage() (0x15)

Description:

The Battery, System Host or other master device sends the desired charging voltage to the Smart Battery Charger (mv).

Purpose:

The ChargingVoltage() function sets the maximum voltage that a Smart Battery Charger may deliver to the Smart Battery. In combination with the ChargingCurrent() function and the battery's internal impedance, this function determines the Smart Battery Charger's desired operating point. Together, these functions permit a Smart Battery Charger to dynamically adjust its charging profile (current/voltage) for optimal charge. The Smart Battery can effectively turn off the Smart Battery Charger by returning a value of 0 for this function. Smart Battery Chargers may be operated as a constant current source above their maximum regulated voltage range by returning a ChargingVoltage() value of 65535.

SMBus Protocol: Write Word

Output: unsigned int -- charger output voltage in mv
Units: mv
Range: data range is 0 to 65,534 mv
output range is defined by the specific implementation, but not less than 8 bits within the 16 bit field
Granularity: 0.4% (8 bits) or better, monotonic
Accuracy: $\pm 5\%$ of twice the value the most significant bit weight or better. It is strongly recommended that the accuracy be considerably better, particularly in the expected operating range. Note that while the absolute accuracy of the charger is relatively low, the Smart Battery controls the charger and it must have adequate measurement precision for the chemistry it supports. The Smart Battery can adjust its charging voltage requests based on the its charge state and terminal voltage. Less stringent requirements on the charger's accuracy avoids duplication of high precision elements lowering the system cost without sacrificing performance. (see Appendix E)

Invalid Data Indication: 65,535 indicates the battery needs a constant current at the ChargingCurrent() value.

Note1: This is the same value as that listed in 5.2.2. In the case shown, the value is written by the Smart Battery or other master device, to the Smart Battery Charger.

Note2: The Smart Battery Charger responds to voltage requests in one of three ways:

- supply the voltage requested
- supply the programmatic maximum voltage if the request is greater than its programmatic maximum and less than 65535
- supply its maximum safe voltage if the request is 65535

Smart Battery Charger Specification

5.1.3. AlarmWarning() (0x16)

Description:

The Smart Battery, acting as a bus master device, sends the AlarmWarning() message to the Smart Battery Charger and/or the System Host, to notify them that the one or more alarm conditions exist. Alarm indications are encoded as bit fields in the Battery's Status register, which is then sent to the System Host and/or Smart Battery Charger by this function. The battery AlarmWarning() message sets the corresponding bits in the charger's AlarmWarning(). Note that the SMBus specification requires that the command code for this function be the same as the Smart Battery's address. All alarm conditions are sent to the System Host but only those alarms relating to charging are sent to the Smart Battery Charger.

Purpose:

The AlarmWarning() sent by the Smart Battery may be used by the System Host to notify the user about Alarms generated by the Smart Battery. The System Host's power management system and the Smart Battery Charger are responsible for processing the alarm and taking appropriate action. The Smart Battery Charger will use the information to properly charge the system. For example, if the OVER_TEMP_ALARM bit is set, it is expected that the Smart Battery Charger will cease charging the battery to prevent damage. Although all the AlarmWarning() bits are pre-assigned, only 0x8000, 0x4000, 0x1000 and 0x0800 are used by the Smart Battery Charger. Charging will be terminated immediately when any bit or combination of bits in the upper nibble are set, including the reserved bit. An 0x0800 may be used to signal that the charger may be restarted after a battery conditioning cycle has been completed.

SMBus Protocol: Write Word

Output:

```
unsigned int - Status Register with alarm conditions bit mapped:
* * * * * Alarm Bits * * * * *
0x8000      OVER_CHARGED_ALARM
0x4000      TERMINATE_CHARGE_ALARM
0x2000      reserved
0x1000      OVER_TEMP_ALARM
0x0800      TERMINATE_DISCHARGE_ALARM
0x0400      reserved
0x0200      REMAINING_CAPACITY_ALARM
0x0100      REMAINING_TIME_ALARM
* * * * * Status Bits * * * * *
0x0080      INITIALIZED
0x0040      DISCHARGING
0x0020      FULLY_CHARGED
0x0010      FULLY_DISCHARGED
* * * * * Error Code * * * * *
0x0000-0x000f All bits set high prior to AlarmWarning() transmission.
```

NOTE: Alarm Bits 0x0200 and 0x0100 cause the AlarmWarning() to be sent **only** to the System Host. All other Alarm Bits cause the AlarmWarning() to be sent to both the System Host and the Smart Battery Charger. See Smart Battery Data Specification for details (refer to the *References* section).

Smart Battery Charger Specification

5.1.4. ChargerMode() (0x12)

Description:

The SMBus system host uses this command to set the various charger modes. The default values are set to allow a Smart Battery and the Smart Charger to work in concert without requiring an SMBus host.

Purpose:

Allows the System Host to configure the charger and change the default modes. This is a write only function, but the value of the "mode" bits: INHIBIT_CHARGE and ENABLE_POLLING may be determined using the ChargerStatus() function.

SMBus Protocol: Write Word

Input: unsigned int - bit mapped - see below
 Units: not applicable
 Range: not applicable
 Granularity: not applicable
 Accuracy: not applicable

Field	Bits Used	Format	Allowable Values
INHIBIT_CHARGE	0	bit flag	0 - enable charging (power-on default) 1 - inhibit charging
ENABLE_POLLING	1	bit flag	0 - disable polling (power-on default for Smart Battery controlled chargers) 1 - enable polling (power-on default for Host controlled chargers)
POR_RESET	2	bit flag	0 - mode unchanged (default) 1 - set charger to power-on defaults
RESET_TO_ZERO	3	bit flag	0 - charging values unchanged (default) 1 - set charging values to zero
Reserved	4...15		

The INHIBIT_CHARGE bit allows charging to be inhibited without changing the ChargingCurrent() and ChargingVoltage() values. This bit may be set only by the System Host while a battery is charging to inhibit charge. The Smart Battery is not allowed to write to this bit. The charging may be resumed by clearing the bit. This bit is automatically cleared when power is re-applied or when a battery is re-inserted.

The ENABLE_POLLING bit enables the polling feature of Host controlled chargers. This bit is set at power on for Host controlled chargers otherwise is cleared for Smart Battery controlled chargers.

The POR_RESET bit sets the Smart Battery Charger to its power-on default conditions.

The RESET_TO_ZERO bit sets the ChargingCurrent() and ChargingVoltage() values to zero. This function ALWAYS clears the ChargingVoltage() and ChargingCurrent() values to zero even if the INHIBIT_CHARGE bit is set. Refer to Appendix F for further information.

Writing to any mode bit will cause the appropriate actions to take place, but will not set the bits. The ChargerMode() bits are undefined when read, as they are defined only for write.

Smart Battery Charger Specification

5.1.5. ChargerStatus() (0x13)

Description:

The SMBus system host uses this command to read the charger's status bits.

Purpose:

Allows the System Host to determine the status and level of the charger.

SMBus Protocol: Read Word

Output: unsigned int - bit mapped - see below
 Units: not applicable
 Range: not applicable
 Granularity: not applicable
 Accuracy: not applicable

Field	Bits Used	Format	Allowable Values
CHARGE_INHIBITED	0	bit flag	0 - charger is enabled 1 - charger is inhibited
MASTER_MODE	1	bit flag	0 - charger is in slave-mode (polling disabled) 1 - charger is in master-mode (polling enabled)
VOLTAGE_NOTREG	2	bit flag	0 - charger's output voltage is in regulation 1 - requested ChargingVoltage() is not being met
CURRENT_NOTREG	3	bit flag	0 - charger's output current is in regulation 1 - requested ChargingCurrent() is not being met
LEVEL_2	4	bit flag	00 is reserved
LEVEL_3	5	bit flag	01 - charger is a Smart Battery controlled 10 - reserved 11 - charger is a Host controlled
CURRENT_OR	6	bit flag	0 - ChargingCurrent() value is valid 1 - ChargingCurrent() value is invalid
VOLTAGE_OR	7	bit flag	0 - ChargingVoltage() value is valid 1 - ChargingVoltage() value is invalid
THERMISTOR_OR	8	bit flag	0 - thermistor indicates not over-range ($\leq 100k\Omega$) 1 - thermistor indicates over-range ($> 100k\Omega$)
THERMISTOR_COLD	9	bit flag	0 - thermistor indicates not cold ($\leq 30k\Omega$) 1 - thermistor indicates cold ($> 30k\Omega$)
THERMISTOR_HOT	10	bit flag	0 - thermistor indicates not hot ($\geq 3k\Omega$) 1 - thermistor indicates hot ($< 3k\Omega$)
THERMISTOR_UR	11	bit flag	0 - thermistor is not under-range ($\geq 500\Omega$) 1 - thermistor is under-range ($< 500\Omega$)
ALARM_INHIBITED	12	bit flag	0 - charger not alarm inhibited 1 - charger alarm inhibited
POWER_FAIL	13	bit flag	0 - input voltage is not low 1 - input voltage is low
BATTERY_PRESENT	14	bit flag	0 - battery is not present 1 - battery is present
AC_PRESENT	15	bit flag	0 - charge power is not available 1 - charge power is available

Smart Battery Charger Specification

CHARGE_INHIBITED bit reflects the status of the charger set by the INHIBIT_CHARGE bit (see 5.1.4).

MASTER_MODE bit is set if the charger is a Host controlled charger with the ENABLE_POLLING bit of ChargerMode() set. Smart Battery controlled chargers must return 0.

VOLTAGE_NOTREG bit is set when the charger detects that the requested voltage in the ChargingVoltage() register is not in regulation. This bit is cleared when the charging voltage is in regulation. This bit is not defined when the charger is disabled.

CURRENT_NOTREG bit is set when the charger detects that the requested current in the ChargingCurrent() register is not in regulation. This bit is cleared when the charging current is in regulation. This bit is not defined when the charger is disabled.

LEVEL_2 bit is set and the LEVEL_3 bit is cleared if the charger is Smart Battery controlled. This bit will always be set.

LEVEL_3 bit is set and the Level_2 bit is set if the charger is capable of operating as a Host controlled charger. A LEVEL_3 charger must be able to operate as a LEVEL_2 charger when the ENABLE_POLLING bit is cleared.

CURRENT_OR bit is set only when the ChargingCurrent() is set to a value greater than the current range of the charger. This bit may be used in conjunction with the INHIBIT_CHARGE bit of ChargerMode() and ChargingCurrent() to determine the current capability of the charger.

VOLTAGE_OR bit is set only when the ChargingVoltage() is set to a value greater than the voltage range of the charger. This bit may be used in conjunction with the INHIBIT_CHARGE bit of ChargerMode() and ChargingVoltage() to determine the voltage capability of the charger.

THERMISTOR_OR bit is set only when the thermistor value is $> 100k\Omega$. This indicates that the thermistor is open.

THERMISTOR_COLD bit is set only when the thermistor value is $> 30k\Omega$. The thermistor indicates a cold battery.

THERMISTOR_HOT bit is set only when the thermistor value is $< 3k\Omega$.

THERMISTOR_UR bit is set only when the thermistor value is $< 500\Omega$.

Note: Multiple bits may be set depending on the value of the thermistor (e.g., a thermistor that is 450 ohms will cause both the THERMISTOR_HOT *and* the THERMISTOR_UR bits to be set). The thermistor may be replaced by fixed value resistors in battery packs that do not require the thermistor as a secondary fail-safe indicator. In this case, it is the responsibility of the battery pack to manipulate the resistance to obtain correct charger behavior (see 6.1.1).

ALARM_INHIBITED bit is set if a valid AlarmWarning() message has been received and charging is inhibited as a result. This bit is cleared if both ChargingVoltage() and ChargingCurrent() are re-written to the charger, power is removed, or if a battery is removed.

POWER_FAIL bit is set if the input to the power fail comparator is below the comparator set threshold. This comparator input generally will be used to monitor the battery voltage for catastrophic faults.

BATTERY_PRESENT is set if a battery is present otherwise it is cleared. Any method may be used to determine if a battery is present, but generally this bit will be the logical inverse of THERMISTOR_OR.

Smart Battery Charger Specification

AC_PRESENT is set if a source of power for charging is available otherwise it is cleared.

5.1.6. ChargerSpecInfo() (0x11)

Description:

The SMBus system host uses this command to read the charger's extended status bits.

Purpose:

Allows the System Host to determine the specification revision the charger supports as well as other extended status information.

SMBus Protocol: Read Word

Output: unsigned int - bit mapped - see below
 Units: not applicable
 Range: not applicable
 Granularity: not applicable
 Accuracy: not applicable

Field	Bits Used	Format	Allowable Values
CHARGER_SPEC	0...3	bit flag	The CHARGER_SPEC reports the version of the Smart Battery Charger specification the charger it supports: 0001 - Version 1.0. All other codes reserved.
SELECTOR_SUPPORT	4	bit flag	0 - charger does not support the optional Smart Battery Selector commands 1 - charger supports the optional Smart Battery Selector commands
reserved	5...15	bit flag	These bits are reserved and will return zero.

CHARGER_SPEC bits indicate which version of the Smart Battery Charger specification the charger supports. For Revision 1.0 of the Smart Battery Charger specification, the value will be 1.

SELECTOR_SUPPORT bit is set if the charger supports the optional Smart Battery Selector functionality.

5.2. Smart Battery Charger Master Functions (charger-to-battery)

A Host controlled charger, when acting as master, has the ability to query the Smart Battery to determine the Smart Battery's charging requirements. In this case, the Host controlled charger should set the Battery Mode() CHARGER_MODE bit to suppress the regular broadcast of charging data from the Smart Battery. The Host controlled charger may poll the battery using the Smart Battery's ChargingVoltage() and ChargingCurrent() functions to determine the charging requirements. The Smart Battery Charger will continue requesting these values at whatever interval it deems appropriate in order to maintain correct charging.

Notes:

1. In order to ensure proper charging of ALL battery chemistries, it is suggested that a minimum polling frequency of once per minute be used.
2. While operating as a Host controlled charger, the Smart Battery's SpecificationInfo() scaling information may be used. However, when operating as a LEVEL_2 or a LEVEL_3, the charger default is NOT to use the voltage and current scaling information contained in the Smart Battery's SpecificationInfo(). Additionally, the charger is expected to return to this default state whenever the ENABLE_POLLING bit is cleared or the charger is reset.

5.2.1. ChargingCurrent() (0x14)

Description:

The Smart Battery Charger makes a request to the Smart Battery to get its desired charging rate (ma).

Purpose:

The charger uses the ChargingCurrent() function to request the charging current from the Battery. The response is used by the charger to set the maximum current that a Smart Battery Charger may deliver to the Smart Battery. In combination with the response to the ChargingVoltage() function and the battery's internal impedance, this function determines the Smart Battery Charger's desired operating point. Together, these functions permit a Smart Battery Charger to dynamically adjust its charging profile (current/voltage) for optimal charge. The Smart Battery can effectively turn off the Smart Battery Charger by returning 0 for this function. Smart Battery Chargers may be operated as a constant voltage source above their maximum regulated current range by returning a ChargingCurrent() value of 65535.

Supported by: Host controlled charger

SMBus Protocol: Read Word

Output: unsigned int -- maximum charger output current in ma
Units: ma
Range: data range is 0 to 65,534 ma
output range is defined by the specific implementation, but not less than 8 bits within the 16 bit field
Granularity: 0.4% (8 bits) or better, monotonic
Accuracy: ±5% of twice the value the most significant bit weight or better. It is strongly recommended that the accuracy be considerably better, particularly in the expected operating range. Note that while the absolute accuracy of the charger is relatively low, the Smart Battery controls the charger and it must have adequate measurement precision for the chemistry it supports. The Smart Battery can adjust its charging current requests based on its measurement its input current. Less

Smart Battery Charger Specification

stringent requirements on the charger's accuracy avoids duplication of high precision elements lowering the system cost without sacrificing performance. (see Appendix E)

Invalid Data Indication: 65,535 indicates the battery needs constant voltage at the ChargingVoltage() value.

- Note1:** This is the same value as that listed in 5.1.1. In the case shown here, the value is read by the Smart Battery Charger from the Smart Battery.
- Note2:** The Smart Battery Charger responds to the current request in one of three ways:
- supply the current requested
 - supply the programmatic maximum current if the request is greater than its programmatic maximum and less than 65535
 - supply its maximum safe current if the request is 65535
- Note3:** The battery may return a value based on its desired charge rate plus the system's measured power requirements, if any. In this way, actual charge current into the battery is controlled.

Smart Battery Charger Specification

5.2.2. ChargingVoltage() (0x15)

Description:

The Smart Battery Charger requests the desired charging voltage from the Smart Battery (mv).

Purpose:

The ChargingVoltage() function sets the maximum voltage that a Smart Battery Charger may deliver to the Smart Battery. In combination with the ChargingCurrent() function and the battery's internal impedance, this function determines the Smart Battery Charger's desired operating point. Together, these functions permit a Smart Battery Charger to dynamically adjust its charging profile (current/voltage) for optimal charge. The Smart Battery can effectively turn off the Smart Battery Charger by returning a value of 0 for this function. Smart Battery Chargers may be operated as a constant current source above their maximum regulated voltage range by returning a ChargingVoltage() value of 65535

Supported by: Host controlled

SMBus Protocol: Read Word

Output: unsigned int -- charger output voltage in mv
Units: mv
Range: data range is 0 to 65,534 mv
output range is defined by the specific implementation, but not less than 8 bits within the 16 bit field
Granularity: 0.4% (8 bits) or better, monotonic
Accuracy: $\pm 5\%$ of twice the value the most significant bit weight or better. It is strongly recommended that the accuracy be considerably better, particularly in the expected operating range. Note that while the absolute accuracy of the charger is relatively low, the Smart Battery controls the charger and it must have adequate measurement precision for the chemistry it supports. The Smart Battery can adjust its charging voltage requests based on the its charge state and terminal voltage. Less stringent requirements on the charger's accuracy avoids duplication of high precision elements lowering the system cost without sacrificing performance. (see Appendix E)

Invalid Data Indication: 65,535 indicates the battery needs a constant current at the ChargingCurrent() value.

Note1: This is the same value as that listed in 5.1.2. In the case shown here, the value is read from the Smart Battery by the Smart Battery Charger.

Note2: The Smart Battery Charger responds to voltage requests in one of three ways:

- supply the voltage requested
- supply the programmatic maximum voltage if the request is greater than its programmatic maximum and less than 65535
- supply its maximum safe voltage if the request is 65535

6. Smart Battery Charger Characteristics

Smart Battery Chargers are differentiated by their type (see Smart Battery Charger types in this document). Each type has certain characteristics and supports certain functions. This section describes the characteristics and functions all chargers have in common as well as the those that are type specific.

6.1. Common Smart Battery Charger Characteristics

All Smart Battery Chargers have the following capabilities, characteristics and options in common.

6.1.1. Thermistor Ranges

The Smart Battery Charger’s capabilities are altered by the value of the thermistor. As a required safety feature, the charger must NOT charge a battery when it senses the resistance between the thermistor pin and ground to be in the range between 500 and 3k ohms. A thermistor in a NiMH battery would enter this range if it got too hot; the thermistor (resistor) in a Li-ion battery could be set to this range in an emergency condition. The valid ranges a thermistor may be in are summarized below along with the charger’s capabilities for the range.

Thermistor	Charger Status Bits	Description	Wake-up charge	Response to charging requests	Notes
0 to 500Ω	THERM_UR, THERM_HOT	under-range	allowed for initial time-out period	allowed	Charger can “wake-up” charge for time-out period; controlled charge allowed.
500 to 3kΩ	THERM_HOT	hot	not allowed	not allowed	Fail-safe charge termination -- charger must not supply current
3k to 30kΩ	(none)	normal range	allowed indefinitely	allowed	Charger can “wake-up” charge indefinitely; controlled charge allowed.
30k to 100kΩ	THERM_COLD	cold	allowed for initial time-out period	allowed	Charger can “wake-up” charge for time-out period only.
Above 100kΩ	THERM_OR, THERM_COLD	over-range	not allowed	not allowed	Can be used as battery detect; charger does not supply current.

6.1.2. Smart Battery Charger Time-out Period

The Smart Battery Charger detects that it has lost communication when it does not receive charging messages in a timely manner. The Smart Battery Charger is required to immediately stop charging the battery at this time. The Smart Battery Charger’s time-out period is nominally 175seconds, ±35 seconds (e.g., in the range of 140 - 210 seconds). The time-out period is reset when a power-on reset occurs, a battery is inserted and/or when new ChargingVoltage() and ChargingCurrent() commands are received.

Smart Battery Charger Specification

6.1.3. Smart Battery Charger Wakeup Charge Current

Smart Battery Chargers are allowed to apply a wake-up current to the battery under some conditions defined in the Smart Battery Charger Start-up section. A charger is allowed to supply this charge to the battery at the charger's maximum voltage and up to 100 ma.

6.1.4. Charger Brown-Out Conditions

Situations may arise where the system attempts to charge a battery while the system is also being powered from the AC power supply. In these cases, the charger may not draw so much power that the system's power source is compromised. The charger can, at its option, choose to charge the battery at a lower rate automatically or abort charging entirely. The Smart Battery Charger will report when it lowers its output by setting the ChargerStatus() register's VOLTAGE_NOTREG and CURRENT_NOTREG bits as appropriate.

6.1.5. Smart Battery Charger Leakage Current

A leakage current may flow between the Smart Battery and the Smart Battery Charger at times when no current flow is expected (e.g. programmed zero charge current, thermistor value indicates no charging allowed, no input power to the charger). Smart Battery Charger manufacturers are expected to minimize leakage current to prevent unintended over-charging or unintended low-rate discharge which may result in shortened battery life.

6.1.6. "Float" Voltage

A Smart Battery Charger is allowed to output an arbitrary float voltage. The float voltage refers to the voltage output of the charger with no battery connected. There may be a desire to design the system to present a voltage on its terminals to minimize contact arcing when a battery is plugged in. When the charger detects no battery present in the system, it may default to an output of 0 to its full-range voltage and up to 10mA current.

6.1.7. Smart Battery Charger Start-Up

Upon start-up or at any other power-on condition (e.g., after POR_RESET has been set), the charger is allowed to supply "wake-up" charge to the battery when the following conditions are satisfied: AC power is present, a battery is present, the thermistor value is determined to be greater than 3k ohms or less than 500 ohms and the INHIBIT_CHARGE bit is not set. Once the time-out period expires, the charger can optionally continue to "wake-up" charge only if the battery's thermistor is in the range of 3K to 30K ohms.

Some battery packs may use a fixed resistor with a value < 500 ohms in place of the thermistor to indicate that they do not want the "wake-up" charge continued past the normal time-out period.

Some possible startup system scenarios:

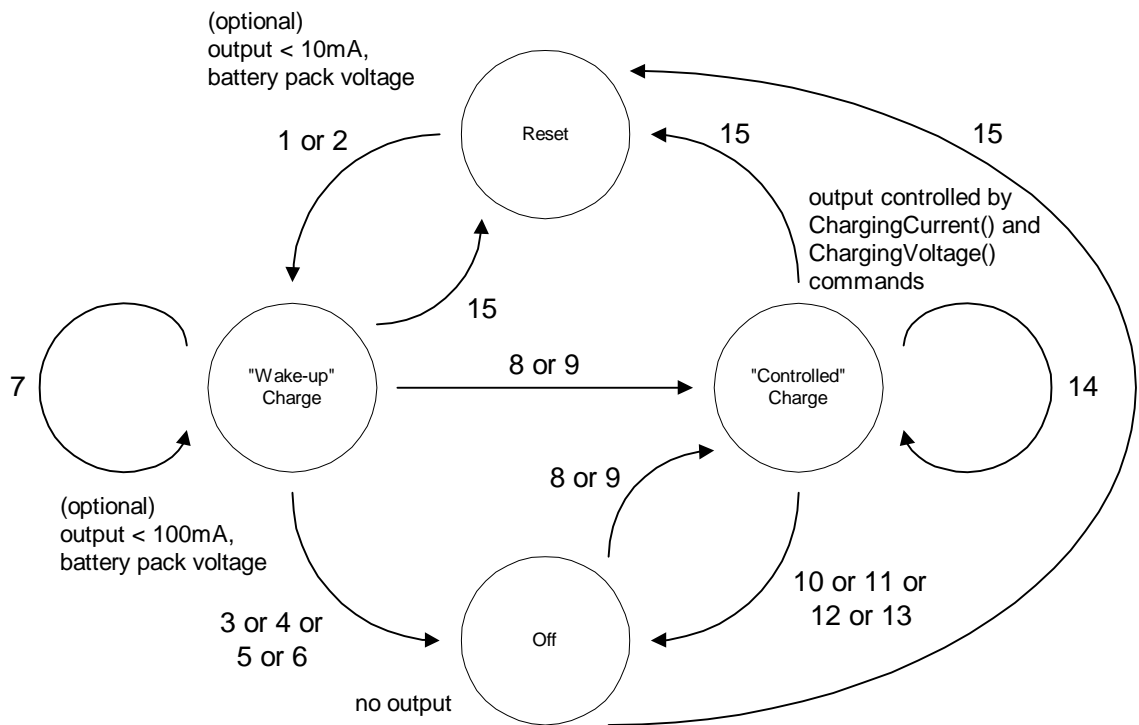
- *Constant current (e.g., NiMH) smart battery, intelligence "awake", the battery:*
 - Sends both a ChargingCurrent() and ChargingVoltage() command to initiate charging.
 - Sends a ChargingCurrent() or ChargingVoltage() or both to adjust the charging rate.
 - When full, sends AlarmWarning() message, a POR_RESET, a zero ChargingCurrent() or zero ChargingVoltage() to abort charging
- *Constant current smart battery, intelligence "asleep", the battery:*
 - Could take the "wake-up" period of charging to raise its voltage enough for the intelligence to wake up or may expect wakeup charging to continue indefinitely as long as the thermistor is in the "normal range"..
- *Constant voltage (e.g., Li-ion) smart battery, intelligence "awake", the battery:*
 - Sends an AlarmWarning() message asking the charger to stop charging

Smart Battery Charger Specification

- Sends ChargingCurrent() and ChargingVoltage() commands requesting constant voltage charging.
- *Constant voltage smart battery, intelligence “asleep” (also implies that a deep-discharge protection FET is open-circuited as well)*
 - The voltage at the terminals of the battery pack should be enough to wake up the battery’s microcontroller, which then sends charging voltage and current messages to the charger and re-enables its protection device.

6.1.8. Charger Operational Modes Clarifications

The following diagram illustrates a state machine implementation of the Smart Battery Charger’s operational states. The table afterward describes the state transitions.



#	Condition	Action
1	The charger is in its power-on state AND a battery is present (THERM_OR = 0) AND AC is present AND INHIBIT_CHARGE = 0 AND THERM_HOT = 0.	The charger can optionally “wake-up” charge the battery at up to 100 mA indefinitely.
2	The charger is in its power-on state AND a battery is present (THERM_OR = 0) AND AC is present AND INHIBIT_CHARGE = 0 AND THERM_HOT = 1 AND THERM_UR = 1.	The charger can optionally “wake-up” charge the battery at up to 100 mA until the time-out period expires (140-210 seconds).

Smart Battery Charger Specification

3	The charger is supplying “wake-up” charge AND THERM_HOT = 1 and THERM_UR = 1 AND the time-out period expires.	The charger stops charging the battery. It cannot “wake-up” charge again until it gets a POR_RESET, AC is removed, or the battery is removed. It can supply “controlled charge” to the battery if the appropriate conditions are met (see condition 9).
4	The charger is supplying “wake-up” charge to the battery AND an AlarmWarning() message is received with any bit in the upper nibble set.	The charger stops charging the battery. It cannot “wake-up” charge again until it gets a POR_RESET, AC is removed, or the battery is removed. It can supply “controlled charge” to the battery if the appropriate conditions are met (see conditions 8 and 9).
5	The charger is supplying “wake-up” charge to the battery (from condition 1 above) AND THERM_HOT changes from 0 to 1.	The charger stops charging the battery. It cannot “wake-up” charge again until it gets a POR_RESET, AC is removed, or the battery is removed. It can supply “controlled charge” to the battery if the appropriate conditions are met (see condition 8).
6	The charger is supplying “wake-up” charge to the battery (from condition 2 above) and THERM_UR changes from 1 to 0.	The charger stops charging the battery. It cannot “wake-up” charge again until it gets a POR_RESET, AC is removed, or the battery is removed. It can supply “controlled charge” to the battery if the appropriate conditions are met (see condition 9).
7	The charger is applying “wake-up” charge to the battery AND INHIBIT_CHARGE is set to 1.	The charger stops charging the battery. The timer continues to run. The charger can resume “wake-up” charging if INHIBIT_CHARGE is reset to 0 and THERM_HOT = 0 or THERM_HOT = 1 and THERM_UR = 1.
8	The charger is applying “wake-up” charge to the battery (or had been but has been stopped), AND a ChargingCurrent() command is received AND a ChargingVoltage() command is received AND INHIBIT_CHARGE = 0 AND THERM_HOT = 0.	The charger will supply “controlled charge” to the battery as specified in the Current and Voltage commands.
9	The charger is applying “wake-up” charge to the battery (or had been but has been stopped), AND a ChargingCurrent() command is received AND a ChargingVoltage() command is received AND INHIBIT_CHARGE = 0 AND THERM_HOT = 1 and THERM_UR = 1.	The charger will supply “controlled charge” to the battery as specified in the Current and Voltage commands.
10	The charger is supplying “controlled” charge AND no new ChargingCurrent() or ChargingVoltage() command is received for a time-out period (140-210 seconds)..	The charger stops charging the battery. It can resume “controlled” charging when conditions 8 or 9 are satisfied.
11	The charger is supplying “controlled” charge to the battery AND an AlarmWarning() message is received with any bit in the upper nibble set.	The charger stops charging the battery. It can resume “controlled” charging when conditions 8 or 9 are satisfied.

Smart Battery Charger Specification

12	The charger is supplying “controlled” charge to the battery (from condition 8 above) AND THERM_HOT changes from 0 to 1.	The charger stops charging the battery. It can resume “controlled” charging when condition 8 is satisfied.
13	The charger is supplying “controlled” charge to the battery (from condition 9 above) AND THERM_UR changes from 1 to 0.	The charger stops charging the battery. It can resume “controlled” charging when condition 9 is satisfied.
14	The charger is supplying “controlled” charge to the battery and INHIBIT_CHARGE is set to 1.	The charger stops charging the battery, but continues to accept new ChargingCurrent() and ChargingVoltage() commands, continues to monitor the battery thermistor input, and continues to track the communications time-out. It can resume charging the battery if INHIBIT_CHARGE is cleared to 0, possibly at difference current and voltage is new commands have been sent in the interim.
15	The charger is in any state and it detects no battery present OR AC not present OR a 1 is written to POR_RESET.	The charger returns to its power-on reset default state.

6.1.9. Optional Smart Battery Charger Registers for Selector Support

To support implementations of a Smart Battery Charger and Smart Battery Selector combined in the same component, optional charger command codes have been defined. These codes are optional and only used by charger components which also include selector functionality. Their presence is indicated by the SELECTOR_SUPPORT bit in the ChargerSpecInfo() function.

When implemented, the Smart Battery Charger’s SelectorState(), SelectorPresets() and SelectorInfo() functions match the corresponding functions described in the Smart Battery Selector Specification. The mapping of the Smart Battery Selector functions into the Smart Battery Charger’s command codes may be accomplished by OR’ing the desired Smart Battery Selector command code with 0x20 and then sending it to the Smart Battery Charger’s SMBus address. Therefore, for a Smart Battery Charger / Selector component, the function code for SelectorState() is 0x21, for SelectorPresets(), 0x22 and for SelectorInfo(), 0x24. The Smart Battery Charger’s defined optional manufacturer’s extended commands remain located in the range of 0x3c-3f and this area is shared by both the charger and selector in a dual-function component.

6.1.10. Optional Charger Interrupt Mechanism

Smart Battery Chargers may have an optional interrupt mechanism to indicate to the system that a change in its status has taken place, for example, battery insertion or removal or AC present. While this mechanism is optional, its inclusion is highly recommended:

- For single-battery systems which do not implement a Smart Battery Selector to indicate changes in the system’s power status.
- For multiple battery systems as a way to notify the Smart Battery Selector that it may automatically charge the “next” battery.

6.1.11. Battery Internal Charge Control

ChargingCurrent() and ChargingVoltage() requests from the battery may be used to define a charging “envelope” within which a battery may internally charge itself. For example, a battery

Smart Battery Charger Specification

which pulse charges itself with the full requested current and voltage from the charger for 80% of the time, and takes no power during the remaining 20% of the time while the battery “rests”.

6.2. Smart Battery Controlled Smart Battery Charger Characteristics

6.2.1. Required Commands

AlarmWarning()
ChargingCurrent()
ChargingVoltage()
ChargerSpecInfo()
ChargerMode()
ChargerStatus()

Note that a charger that does not support all of the commands required of a Host controlled charger may contain some or most of the functionality of a Host controlled charger. For example, a Smart Battery controlled charger may support the a modified ability to poll the battery. The strict definitions of charger types are not intended to preclude such a device, only to ensure that a consistent means of determining charger type exists.

6.2.2. Charge Initiation

Smart Battery controlled chargers may initiate charge:

- upon insertion of a battery
- when charge power becomes available
- when ChargingVoltage() and ChargingCurrent() are both set to non-zero values
- when the AlarmWarning() is written without critical error bits set.

Other methods may be used to determine that charging may be (re)initiated. Charging is not initiated if the thermistor is out of a valid range (see below), if the AlarmWarning() has critical error bits set or when either ChargingCurrent() or ChargingVoltage() are set to zero. Voltage and current may default at power-on to the expected open circuit battery voltage and a current $\leq 10\text{mA}$.

6.2.3. Charge Termination

Smart Battery controlled chargers will discontinue charging:

- when AlarmWarning() is written with critical error bits set
- if either ChargingCurrent() or ChargingVoltage() are set to zero
- when the thermistor is out of a valid range (see below).

Additional methods of charge termination are allowed.

6.2.4. Charge Current and Voltage

The maximum charging current and voltage of the Smart Battery controlled charger is determined by the manufacturer and is programmable through the ChargingCurrent() and ChargingVoltage() commands. Default values for these may be zero or any non-zero range determined to be safe for any chemistry (100mA or less). Non-zero default values, if used, must only be enabled when the thermistor is greater than or equal to $3\text{k}\Omega$ and less than $30\text{k}\Omega$ (thermistor bits not set). The default charge current and voltage must not be persistent; any new value of ChargingCurrent() or ChargingVoltage() must over-write any default values.

6.3. Host controlled Smart Battery Charger Characteristics

6.3.1. Required Commands

AlarmWarning()
ChargingCurrent()
ChargingVoltage()
ChargerSpecInfo()
ChargerMode()
ChargerStatus()

Note that a Host controlled charger supports all the commands of a Smart Battery controlled charger and differs only in the ability to become a SMBus master device and initiate charging directly. When set to the slave device mode by the ENABLE_POLLING bit not set, the Level 3 charger behaves in all respects as a Level 2 charger.

6.3.2. Charge Initiation

Host controlled chargers may initiate charge under the same conditions as Smart Battery controlled chargers and further have the ability to initiate charging under program control. When a Host controlled charger initiates polling and therefore charging, it is suggested that the Host controlled charger disable the automatic broadcasts of the battery by setting Battery Mode CHARGER_MODE bit. See the Smart Battery Data Specification for details (refer to the *References* section).

6.3.3. Charge Termination

Like the Smart Battery controlled charger, Host controlled chargers will discontinue charging when an AlarmWarning() is written with critical error bits set, if either ChargingCurrent() or ChargingVoltage() are set to zero, or when the thermistor is out of a valid range (see below). Additional methods of charge termination are allowed.

6.3.4. Charge Current and Voltage

The maximum charging current and voltage of the Host controlled charger is determined by the manufacturer and is programmable through the ChargingCurrent() and ChargingVoltage() commands. Default values for these may be zero or any non-zero range determined to be safe for any chemistry. Non-zero default values, when used, must only be enabled when the thermistor is greater than or equal to 3k Ω or less than 30k Ω (thermistor bits not set). The default charge current and voltage must not be persistent; any new value of ChargingCurrent() or ChargingVoltage() must over-write any default values.

Smart Battery Charger Specification

Appendix A The Smart Battery Charger command set in tabular form

The following tables summarize the charger commands by: the function name, command code, access (r,w), data type and applicability. For a battery charger to be recognized as a Smart Battery Charger, it must support all the functions described by this specification for its level of implementation. The battery charger, in the master mode, uses the listed functions to request charging information from the Smart Battery. Included in these tables are four *optional* command codes reserved for additional manufacturer specific functions. In order to preserve compatibility, these *optional* functions may in no way effect the Smart Battery Charger's conformance to this specification.

Battery Charger Slave Functions

Function	Code	Access	Data	Applicability Smart Battery and Host controlled chargers
ChargerSpecInfo	0x11	r	bit flags	required
ChargerMode	0x12	w	bit flags	required
ChargerStatus	0x13	r	bit flags	required
ChargingCurrent	0x14	w	ma	required
ChargingVoltage	0x15	w	mV	required
AlarmWarning	0x16	w	bit flags	required
SelectorState	0x21	r	bit flags	optional
SelectorPresets	0x22	w	bit flags	optional
SelectorInfo	0x24	r	bit flags	optional
OptionalMfgFunction4	0x3c	r/w	word	optional
OptionalMfgFunction3	0x3d	r/w	word	optional
OptionalMfgFunction2	0x3e	r/w	word	optional
OptionalMfgFunction1	0x3f	r/w	word	optional

Battery Charger Master Functions

Function	Code	Access	Data	Applicability Host controlled chargers
BatteryMode	0x03	w/r	CHARGER_MODE bit	required
ChargingCurrent	0x14	r	ma	required
ChargingVoltage	0x15	r	mV	required

Notes:

- All unused command codes are reserved.
- The upper two bits of all command codes are specifically reserved for future use to optionally address multiple batteries/chargers.

Appendix B Smart Battery System Safety Features

Safety is a primary design goal in the Smart Battery System specifications. The central concept behind the Smart Battery specifications is locating the primary intelligence of the system inside the battery pack itself, thus enabling the system to be much more accurate in measurement of battery parameters such as remaining capacity and design voltage, and also allowing the charging algorithm and parameters to be tuned to the battery pack's specific chemistry. By relying on the battery pack's intelligence, a properly designed Smart Battery system will safely charge and discharge any expected battery chemistry.

Protection against high rates of discharge is well understood by the battery industry and easily guarded against in battery pack design through the use of safety devices such as fuses. However, protection from an over zealous charger is more difficult requiring tight coupling between the charger and battery. The Smart Battery system defines a standard set of messages as well as an independent means for the battery to terminate charge. Correct operation of the charger is key to maintaining safe operation.

This section will review the safety features contained in the Smart Battery specifications. Particular attention will be focused on the following operating modes: , "Wake-up" Charging "Controlled" Charging, and Discharging.

"Wake-up" Charging

It is possible for a battery pack to be so depleted that its built-in intelligence will not have enough power to operate. Therefore, the Smart Battery System specifications allow a charger to apply some small amount of charge (< 100mA at the battery pack voltage) to a battery when it is first connected so that it can receive enough power to wake up and communicate. This "wake-up" charge may not begin if the thermistor is not in the valid range, and will be terminated when the battery sends a critical message to the charger, or the thermistor moves out of the valid range, or (depending on the battery chemistry, as indicated by the thermistor value) the time-out period expires.

"Controlled" Charging

"Controlled" Charging (i.e., charging under battery control) can only be initiated when and if the battery explicitly requests charging from the Smart Battery Charger device in the system AND the charger independently determines it is safe to do so. Charging will be aborted at any time the battery or charger detects an error condition. The battery requests charging when it sends two separate messages to the charger indicating both its desired ChargingVoltage() and ChargingCurrent(); the charger will attempt to supply the requested voltage and current if the thermistor value of the battery is within an acceptable range. Charging continues as long as new current and voltage messages are sent by the battery to the charger (to prevent charger from timing out) and the thermistor value stays within acceptable limits. Charging MUST be terminated immediately when any of the following conditions occur:

- a critical message is received by the charger
- a zero voltage or current message is received by the charger.
- the resistance of the thermistor moves out of the valid range.
- the charger doesn't receive valid current and voltage messages within the time-out period.

Therefore, to begin charging, both the battery and charger must agree it is safe to do so. First, the battery must explicitly request charging. If the battery detects some error condition (battery pack voltage too high or low, temperature out of acceptable ranges, individual cell voltage shorted, etc.) it won't request charging and charging will never begin. Second, the charger will not begin charging if the thermistor value is not in the valid range.

Smart Battery Charger Specification

Furthermore, to continue charging, both the battery and charger must be satisfied it is still safe to do so. First, the battery must continuously send messages to the charger indicating its requested charging current and voltage. If any error condition occurs in the battery, the battery will send a message to the charger to terminate charge. Or, the battery can simply stop sending messages to the charger and charging will stop after the charger detects the battery is no longer sending out messages. (For the same reason, the charger will stop charging if something happens to the communications channel between the battery and charger, since it will no longer be receiving messages from the battery.) Second, the charger will monitor the battery pack thermistor terminal. If the thermistor moves out of its valid range, the charger will immediately terminate charge. This could happen if the temperature of the battery pack got too hot, or the intelligence in the pack could force the thermistor to that range to indicate an error condition and abort charging immediately.

These mechanisms are independent of and in addition to any protection mechanisms in the battery pack itself, for example, fuses or protection FETs controlled by hard-wired safety circuitry.

Discharging

The Smart Battery System specifications also have a mechanism for the battery to request that the system stop discharging it. If the battery detects that it no longer wishes to be discharged, it can send a high-priority message to the system asking it to stop drawing power from it. (The specifications allow the battery to continue sending this message at up to 5-second intervals.) The system should process the messages and switch to another power source if available, or go into a low-power state if not. However, there is no hardware mechanism to enforce the battery's desire to stop providing power through its terminals.

Appendix C Smart Battery Alarm Bits

Alarm Bits

OVER_CHARGED_ALARM bit is set whenever the Smart Battery detects that it is being charged beyond an end-of-charge indication. This bit will be cleared when the Smart Battery detects that it is no longer being over-charged.

TERMINATE_CHARGE_ALARM bit is set when the Smart Battery detects that one or more of its charging parameters are out of range (e.g. its voltage or current are too high). This bit will be cleared when the parameter falls back in into the allowable range. Failure to correct the problem may result in permanent damage to the battery.

OVER_TEMP_ALARM bit will be set when the Smart Battery detects that its internal temperature is greater than allowed. This bit will be cleared when the internal temperature falls back into the acceptable range.

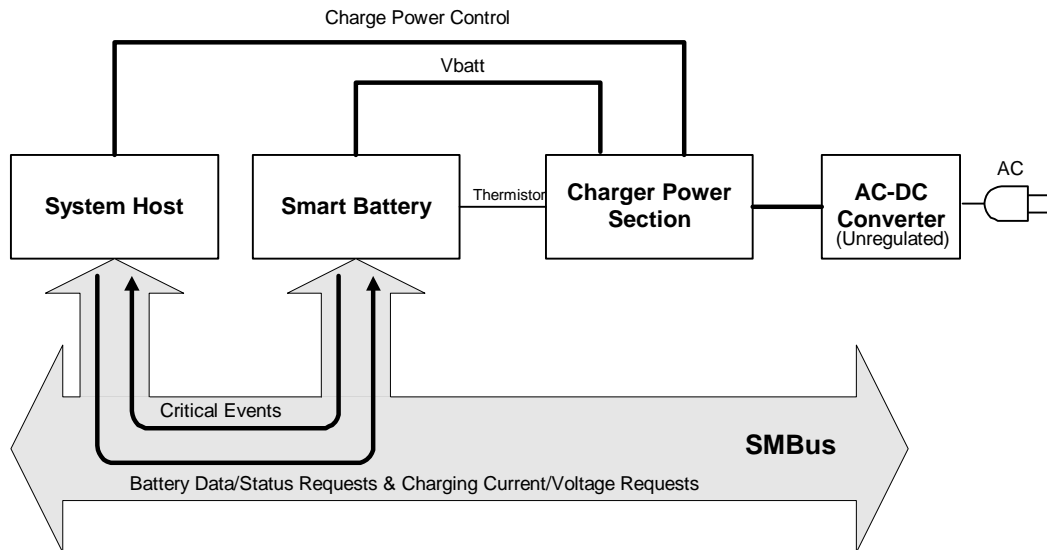
TERMINATE_DISCHARGE_ALARM bit is set when the Smart Battery determines that it has supplied all the charge it can without being damaged (i.e., continued use will result in permanent capacity loss to the battery). This bit will be cleared when the battery reaches a state-of-charge sufficient for it to once again safely supply power.

Appendix D Implementation Examples

SMBus components, including Smart Battery Chargers and Smart Batteries, are versatile and allow great variety in the specific hardware implementations while still retaining software and inter-operability compatibility. The following sections of this appendix describe several examples of specific implementations that use some or all of the features of the SMBus, Smart Battery or Smart Battery Charger.

Emulating a Smart Battery Charger with the Host

A dedicated or shared micro-controller equipped with a SMBus interface may be made to emulate a Smart Battery Charger and/or a Smart Battery Selector. In many cases this will be the SMBus Host, but it may be a SMBus Slave device configured to control the charger electronics. As in the example given above for Notebook Computers, the charger may use one or more I/O lines to set the charge conditions of the charging electronics, but in this case the controller must interpret Smart Battery Charger commands given over the SMBus in order to properly set the charge electronics. Likewise, the controller must interpret the battery thermistor value and respond appropriately. Finally, in emulating the Smart Battery Charger, the controller must respond to the appropriate Smart Battery Charger functions, including properly reporting the charger level.



Host Emulation of SBCharger

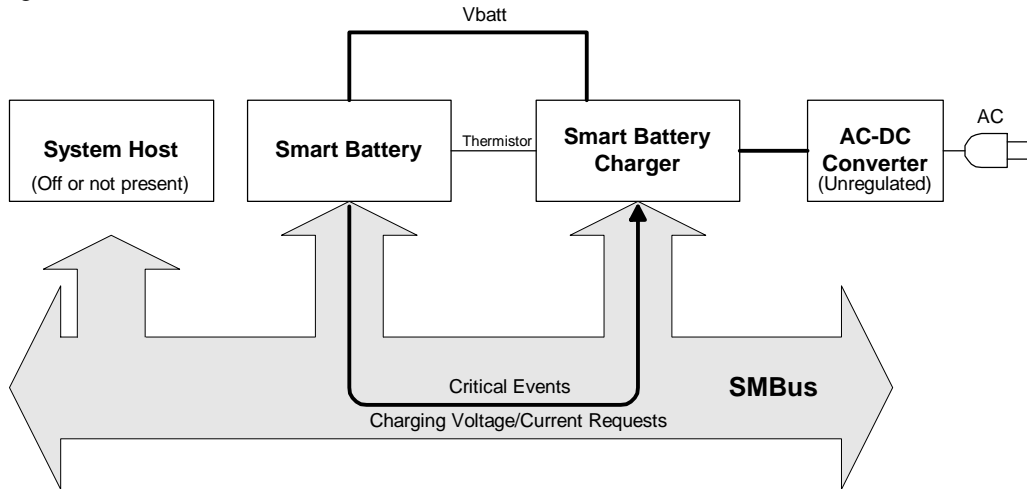
The keyboard controller as Host

An existing micro-controller may be used to implement an SMBus connection from the system to the Smart Battery and Smart Battery Charger. Again using the Notebook Computer as an example, the existing keyboard controller (often an 80C51SL or H8 style micro-controller) may be used to perform SMBus I/O in addition to the existing tasks. Specifics of the I/O structure and timing may be in dedicated hardware or via software emulation. In either method, the controller links the SMBus devices, including the Smart Battery and Smart Battery Charger with the system. The Host controller must recognize its own address as well as responding properly to system calls for SMBus devices (refer to the *References* section).

Smart Battery Charger Specification

No-host charging

Because the Smart Battery can communicate as a Master device on the SMBus, no Host device is required for proper charging. Host electronics may be completely shut off and, as long as power is provided to charge, the Smart Battery and Smart Battery Charger may communicate independent of the Host. This functionality is especially beneficial in systems that do not have on-board charging capability or do not require the system to be on for any other reason during charge.



No-Host Charging

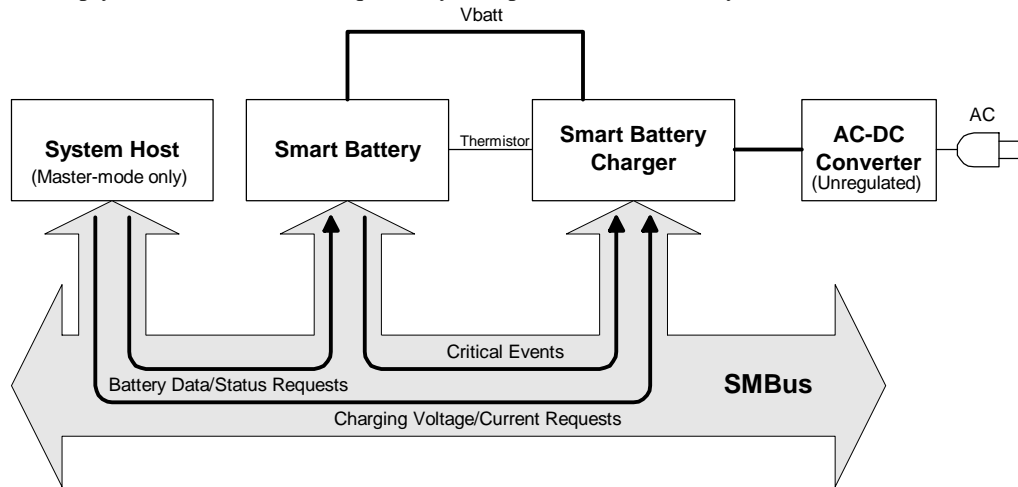
Smart Battery Charger Specification

Master-only Host

Although SMBus is defined as a multiple-master bus, it is possible to operate SMBus components in general and Smart Battery/Smart Battery Chargers in particular with a master-only Host. This implementation may be necessary if a micro-controller is used as the System Host in addition to performing other functions. Software complexity or multi-tasking may not permit a full multiple-master implementation. In this case, a Master-only Host could be used if all other SMBus devices are Slave-only or can be set to Slave-only.

If the system contains only the Host, Smart Battery and a Level 1 or 2 Smart Battery Charger, then the Smart Battery is the only other Master device present. In this case, the Host must disable the automatic broadcasts of the battery's ChargingVoltage() and ChargingCurrent() by setting Battery Mode CHARGER_MODE bit. See the Smart Battery Data Specification for details (refer to the *References* section). Once this is accomplished, the System Host is the only Master device for most operations. The exception is the Smart Battery AlarmWarning() broadcast to the Smart Battery Charger and System Host. This will be broadcast by the Smart Battery under some conditions (refer to the *References* section). It is possible that a data collision will result making rebroadcast necessary. Because the System Host in this case is Master-only and cannot receive this broadcast, it is necessary that the System Host occasionally poll the Smart Battery for the AlarmWarning() status.

When using a Master-only Host, the Host must poll the Smart Battery for charging voltage and current, and then transmit this data to the Smart Battery Charger. The frequency of this polling must comply with the minimum required by the specific Smart Battery.



Master-mode only Host

Appendix E Accuracy Requirements

Among the many benefits of Smart Battery Chargers and the Smart Battery model in general is the low system cost that results from not duplicating costly measurement and control components. A Smart Battery already contains A/D conversion and other measurement electronics of sufficient accuracy to provide state of charge, remaining capacity and other information for that battery. It is not necessary to duplicate this measurement capability at the charger, nor is required to exceed or even meet the level of accuracy internal to the Smart Battery, because the battery already contains a sophisticated measurement system and a method of communicating with the Smart Battery Charger (SMBus).

The Smart Battery has everything necessary to ‘close the loop’ around the Smart Battery Charger and therefore control the accuracy of the charging voltage and current. For this reason, the Smart Battery Charger is not expected to be as accurate or precise as the Smart Battery. Even the accuracy of the thermistor inputs is regarded as that necessary only for safe charging, not so accurate as to optimize charging. Under normal conditions the Smart Battery is in the best position to measure internal voltages, currents and temperatures to optimize charging.

For these reasons, the data provided by the Smart Battery to the Smart Battery Charger is expected to be more accurate and of higher resolution than the Smart Battery Charger may be able to provide. If the resulting charge condition is unsuitable, the Smart Battery could send new values to the Smart Battery Charger as in the following example:

1. The Smart Battery sets the ChargingCurrent() of the Smart Battery Charger to 1A
2. The Smart Battery Charger responds by providing .95A, within its $\pm 5\%$ accuracy requirement.
3. The Smart Battery measures the charge current of .95A and calculates a new target of $1A/.95A = 1.052A$ and set the ChargingCurrent() of the Smart Battery Charger to this value to correct the charge current
4. The Smart Battery Charger responds by increasing the output current proportionally, to 1A.
5. The Smart Battery accepts this as the final charge current.

The Smart Battery could likewise set the ChargingVoltage() in the same fashion. Note that the decision to “close the loop” is made by the Smart Battery’s manufacturer based upon the needs of the battery. There is no additional requirement placed in the Smart Battery Charger or System Host.

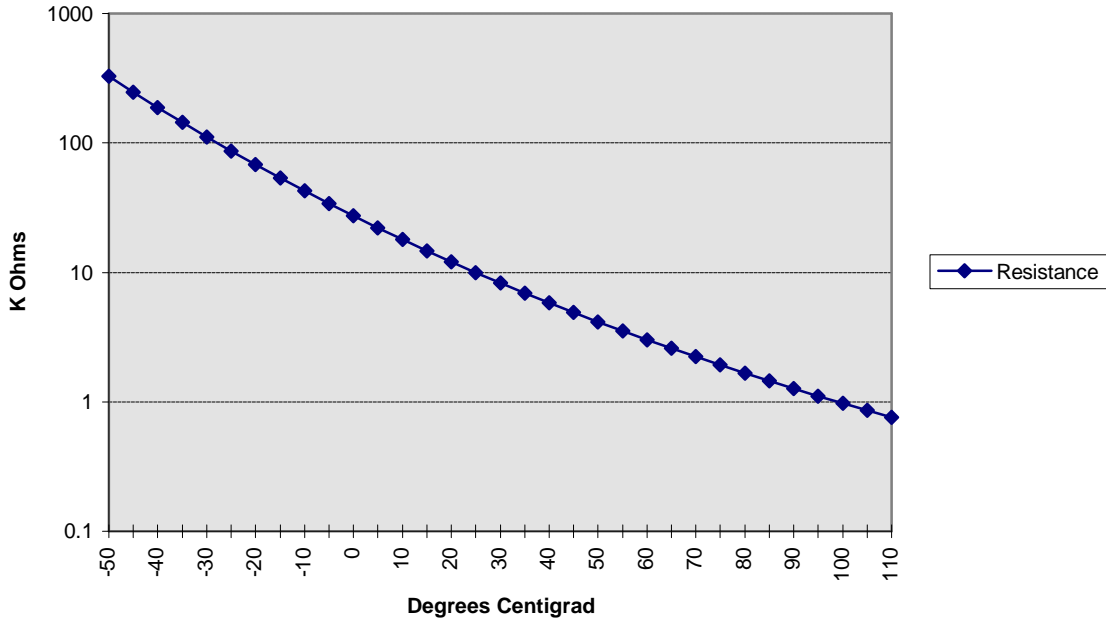
NOTE: Safety factors must be a prime consideration when Smart Battery manufacturers develop closed-loop charging algorithms as described here. Batteries pose a significant potential risk of fire and explosion if mistreated AND this includes CHARGING.

Smart Battery Charger Specification

Appendix F Thermistor Characterization

The following graph describes the expected behavior of the thermistor described in this document. The graph is typical of the suggested thermistor's characteristics. It represents the electrical behavior of a 103ETB type thermistor, which is nominally 10K ohms at 25°C $\pm 5\%$ or better.

Typical Thermistor Characteristics



###